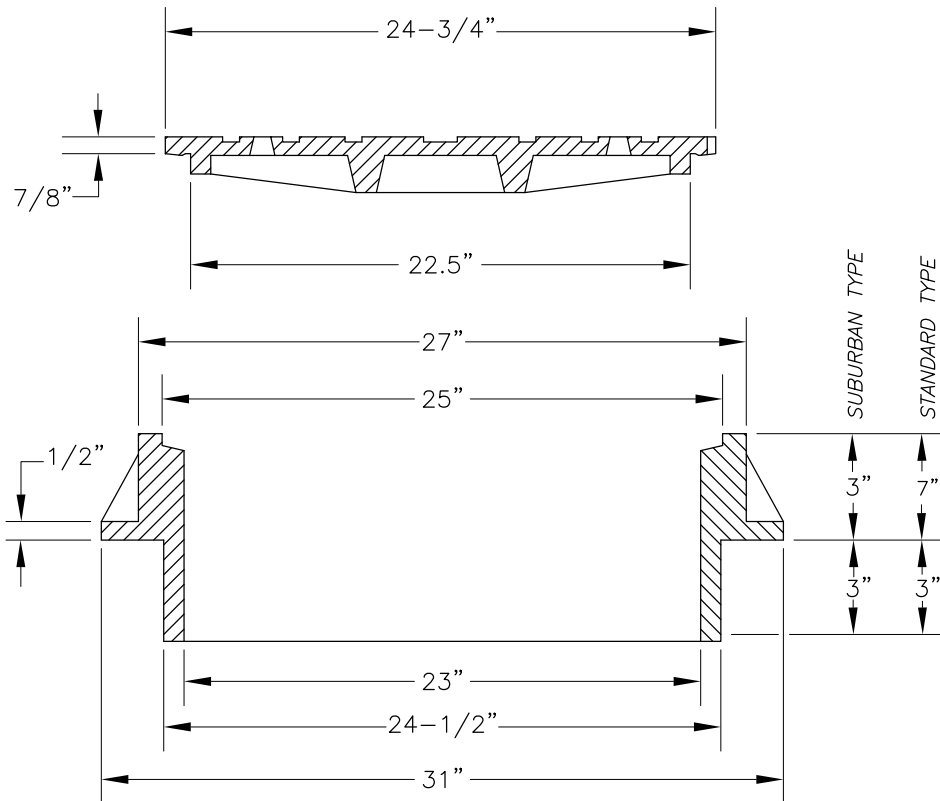


SANITARY



STORM



NOTES:

1. USE SUBURBAN TYPE ONLY IN NON-TRAFFIC AREAS.
2. COVER & FRAME SHALL BE GRAY CAST IRON ASTM A-48 CLASS 35B.
3. COVER & FRAME TO BE MACHINED TO A TRUE BEARING ALL AROUND.
4. NOTCH LID FOR LIFTING HOOK.



City of Astoria
Public Works Department
 1095 Duane Street

Manhole Frame & Cover Detail

Date Adopt. 11/01/12

Date Rev. 09/11/17

DWG. NO.

Dwg. Name: S-1 Manhole Frame & Cover.dwg

S-1